

OCTANS

STREET LIGHTING URBAN VM

Urban luminaire **OCTANS** from ARQUILED is ideal for residential areas, city centers, parks and pedestrian zones, adapting to its context in a natural way and guaranteeing a unique aesthetic touch.

With its discreet and elegant design, the OCTANS luminaire adapts to any architectural setting, whether historical or contemporary. Thanks to a careful selection of materials, it guarantees excellent performance and offers a high ingress protection and long-life span.

EFFICIENCY AND DESIGN

- Adaptable to historical and contemporary surrounding
- Various types of diffuser: transparent and translucent
- Choice of aluminum or polycarbonate housing
- Luminous efficiency: up to 123 lm/W
- Low energy consumption
- Dimming control options: integrated or external via NEMA or Zhaga
- Pre-wired for easy installation
- Robust and long-life span
- Compatible with a wide range of connectivity solutions for Smart Cities

APPLICATION AREAS

- Residential areas and historical centers
- Squares, parks and gardens
- Pedestrian zones and byke paths
- Parking lots





MULTIPLE OPTIONS



Die-cast aluminum housing

Clear polycarbonate diffuser with axial electronic block
(models 10, 20, 30 e 40)

External connector available on all models with aluminum housing
(optional)



Polycarbonate housing

Clear polycarbonate diffuser with radial electronic block
(models 50 e 70)

Connectivity: embedded board available on all models
with polycarbonate housing (optional)

DIFFUSER

- High-strength polycarbonate diffuser with UV protection
- Opal polycarbonate with radial electronic block, available in all models
- Clear polycarbonate with axial electronic block, available in models 10, 20, 30 and 40

HOUSING

- Die-cast aluminum housing
- Polycarbonate housing

OPTICAL AND ELECTRONIC BLOCK

- Axial or radial optical block, with a high protection index in the power supply and mains connection compartment

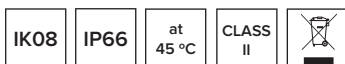
SMART READY

- Lighting control and dimming: ECCOS Sembedded
- External control and dimming (NEMA or Zhaga): ECCOS Controller



PRODUCT MODELS

	OCTANS 10 20 30 40 50 70
Power consumption ¹	7 - 69 W (depending on configuration)
Luminous flux ¹	1,396 - 7,431 lm
Luminous efficiency	Up to 123 lm/W



Version with NEMA connector, on die-cast aluminum housing
Also available for Zhaga

SPECIFICATIONS

Diffuser and cover	Clear polycarbonate (models 10, 20, 30, 40) Opal polycarbonate (all models)
Housing	Die-cast aluminum: standard version and version with NEMA/ Zhaga connector Polycarbonate: standard version only
Product color ²	Base and cover: RAL 7016
Correlated Color Temperature (CCT)	3000 K / 4000 K ²
Lumen maintenance at 100,000h	> 95% ³
Chromatic Restitution Index (CRI)	≥ 70 ²
Ingress protection (IEC – EN 60598)	IP66
Mechanical impacts protection (IEC – EN 62262)	IK08
Nominal voltage	230 V / 50 Hz
Surge overvoltage protection (EN 61000-4-5)	4 kV / 10 kV
Electrical class	Class II
Driver ⁴	ON-OFF / 0-10 V / DALI-2 / D4i
Connectivity (optional)	Board embedded 5-pin and 7-pin NEMA connector (ANSI C136.41) Zhaga connector
Smart Cities' solutions (optional)	Integrated Management System: ECCOS City Lighting control and dimming systems: ECCOS Single, ECCOS Street, ECCOS Embedded e ECCOS Controller Pedestrian traffic monitoring and counting system: MYRIAD Counter
Mounting	Post-top
Inside mounting diameter	ø 60 mm ²

¹ The initial flux, power and energy consumption of the luminaire are indicative values valid for an ambient temperature=25°C and measured at 230V. The actual flux emitted by the luminaire depends on some conditions, such as temperature, and may vary according to the model. The values indicated are subject to technological tolerances, within reasonable variations and the current state of the art.

² Other options available on request.

³ In accordance with IES LM-80- TM21.

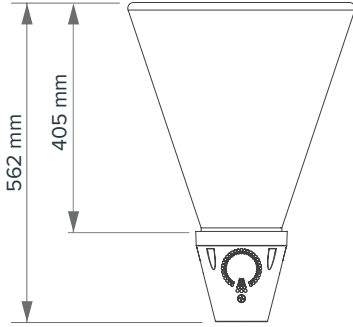
⁴ Specifications vary according to model and configuration.



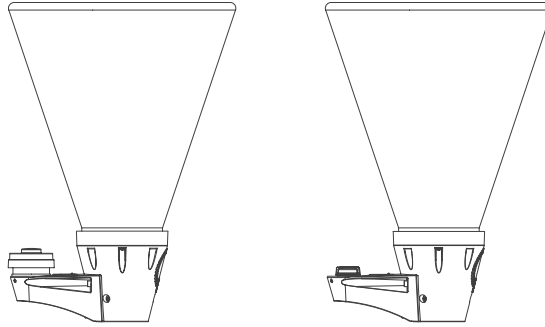
DIMENSIONS

DIE-CAST ALUMINUM HOUSING

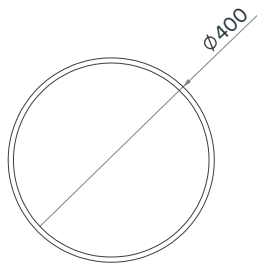
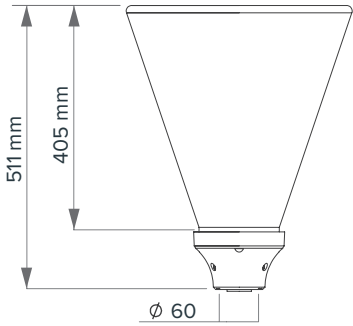
Standard



With NEMA / Zhaga connector

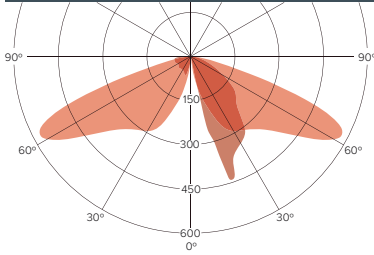


POLYCARBONATE HOUSING



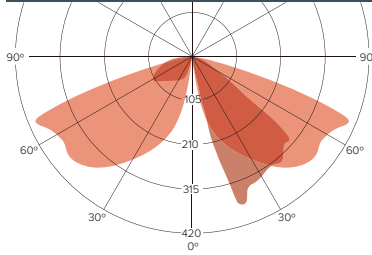
OPTICAL DATA²

Medium Wide Beam I



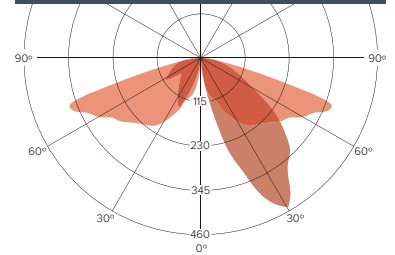
cd/klm C0 - C180 C90 - C270

Wide Beam I



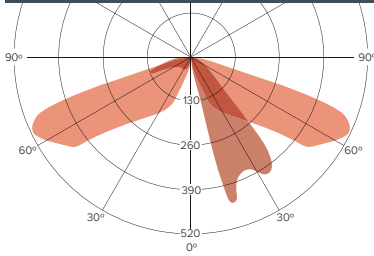
cd/klm C0 - C180 C90 - C270

Wide Beam V



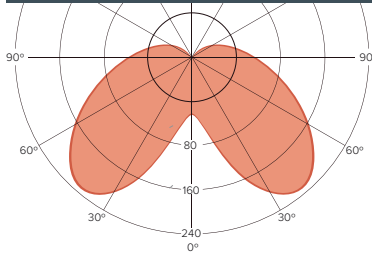
cd/klm C0 - C180 C90 - C270

Extra Wide Beam I



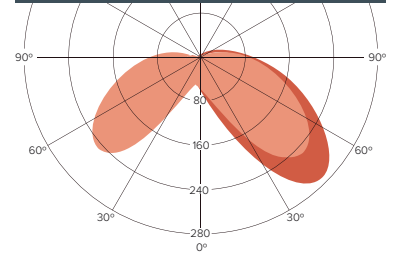
cd/klm C0 - C180 C90 - C270

Narrow Beam I - Symmetrical



cd/klm C0 - C180 C90 - C270

Narrow Beam I



cd/klm C0 - C180 C90 - C270

² Other options available on request.



SMART CITIES | IoT CONNECTIVITY SOLUTIONS

LIGHTING CONTROL AND DIMMING

ECCOS systems are a set of lighting control and light variable intensity (dimming) that offer an adaptable and scalable wide range for each street lighting project needs. From the simplest solution for controlling and scale a luminaire flux intensity, to the most sophisticated remote management systems for street lighting.

Each system is designed accordingly with each municipalities' needs and can go through solutions integrated in the luminaires to external devices (Plug n'Play type), easily coupled to the luminaires.

INTERNAL STREET LIGHT CONTROLLERS

E C C O S embedded

Internal communications module to control and dimming light through a management platform.

E C C O S street

Internal dimming device, per group of luminaires, for up to 16 dimming profiles, with a maximum of 10 circuits, that operates the command and control the light intensity of electric micro cuts.

E C C O S single

Individual and autonomous control system integrated in the luminaire to set up to 16 factory-defined or customer-defined operating modes in pre-set time slots, without the need for any additional control.

EXTERNAL STREET LIGHT CONTROLLERS

E C C O S controller

External monitoring module (in NEMA socket) to control and dimming light, through a management platform.

MONITORING AND ACCOUNTING OF FOOT TRAFFIC

MYRIAD Counter

Non-intrusive monitoring system of movement flows, duration, and distance of pedestrian traffic operated by a WiFi® range of sensors. The system collects the data and allows to make data analysis almost instantaneously.

The sensor network can be installed anywhere, with electrical power and communications or based on the street lighting infrastructure - coupled to luminaires with connectivity.

MANAGEMENT SYSTEMS

E C C O S city

Management system, bidirectional and geolocated for street lighting, in a SaaS mode, integrated in the luminaire.

Based on various communication technologies such as GSM / M2M, LoRaWAN® and NB-IoT, among others, it allows to remotely manage the luminaires via web application, with automation tasks and alerts.

The management platform allows the integration with other IoT systems.

2024, ARQUILED, PROJETOS DE ILUMINAÇÃO, SA.
All rights reserved. All trademarks are acknowledged.
ECCOS and MYRIAD brands are a trademark user under licence of Bright Science Ltd.
LoRaWAN® is a trademark used under license from LoRa Alliance®.
DALI (Digital Addressable Lighting Interface) is a registered trademark of DiiA (Digital Illumination Interface Alliance).
Specifications valid except for omission or typographical error, subject to change without notice.
The images presented are for illustrative purposes and may differ from the final product.